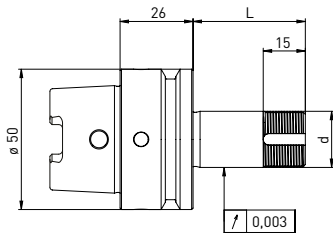
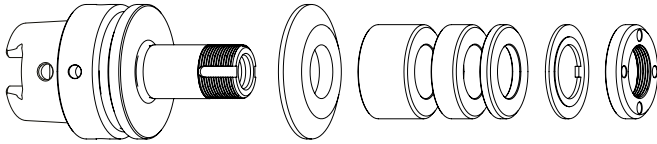


# Reinecker HSK50 // Shaft $\varnothing 20$ mm // RS $\varnothing 35$ mm

For Reinecker tool grinding machines with ring set  $\varnothing 35$  mm  
with driver groove

## SSA HSK50 // $\varnothing 20$ mm // RS $\varnothing 35$ mm



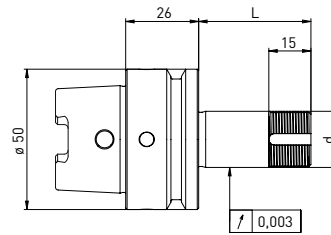
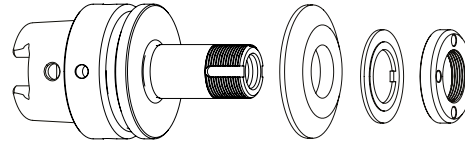
### Delivered equipped:

Reducing washer, ring set  $\varnothing 35$  mm, lock washer and clamping nut

Ring set  $\varnothing 35$  mm

Order No.	HSK	d	L	B20	B10	B4
300072512	HSK50	20	40	-	1	3
300072522	HSK50	20	60	1	1	3
300072532	HSK50	20	85	2	1	4
300072542	HSK50	20	110	3	2	3
300072552	HSK50	20	25	-	-	2
300072562	HSK50	20	50	-	2	3
300072572	HSK50	20	75	2	1	2

## SSA HSK50 // $\varnothing 20$ mm // without RS



### Delivered equipped:

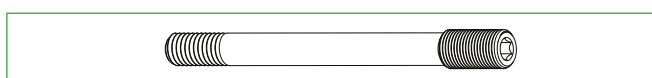
Reducing washer, lock washer and clamping nut

Order No.	HSK	d	L
300072511	HSK50	20	40
300072521	HSK50	20	60
300072531	HSK50	20	85
300072541	HSK50	20	110
300072551	HSK50	20	25
300072561	HSK50	20	50
300072571	HSK50	20	75

## Accessories Reinecker grinding wheel adapter SSA HSK50 // $\varnothing 20$ mm // Ring set $\varnothing 35$ mm

Order No.	Name	
350050010	Universal assembly device $\varnothing 50$	
350040010	Clamping nut wrench PC27 for $\varnothing 20$	
350040011	Clamping nut wrench PC27 for $\varnothing 20$	
350040040	*Clamping nut wrench PC29 for $\varnothing 20$ for clamping nut with blancing option	
350040041	*Clamping nut wrench PC29 for $\varnothing 20$	
350020081	*Balancing weight pair for clamping nut $\varnothing 35$ // 40gmm	

Order No.	Name	
350012020	Spacer ring $\varnothing 35$ x $\varnothing 20$ x 20	
350012010	Spacer ring $\varnothing 35$ x $\varnothing 20$ x 10	
350012004	Spacer ring $\varnothing 35$ x $\varnothing 20$ x 4	
350015001	Reducing washer $\varnothing 50$ x $\varnothing 35$ x $\varnothing 20$ x 6	
350030020	Lock washer $\varnothing 35$ x $\varnothing 20$ x 2	
350020030	Clamping nut $\varnothing 35$ x 6 M20 x 1 PC27	
350020080	*Clamping nut with balancing option $\varnothing 35$ x $\varnothing 40$ x 8 x M20 x 1 PC29	
350015005	Support washer $\varnothing 35$ x $\varnothing 60$ x $\varnothing 20$ x 6	



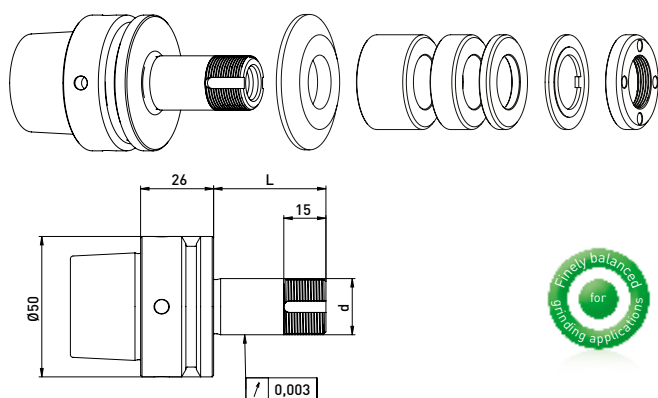
Order No.	Name
250000253	Clamping screw Reinecker L40 - $\varnothing 12$ x 116
250000254	Clamping screw Reinecker L60 - $\varnothing 12$ x 136
250000255	Clamping screw Reinecker L85 - $\varnothing 12$ x 161
250000256	Clamping screw Reinecker L110 - $\varnothing 12$ x 186

\*related items

# Reinecker HSK50 // Shaft $\varnothing 20$ mm // RS $\varnothing 35$ mm

For Reinecker tool grinding machines with ring set  $\varnothing 35$  mm  
without driver groove

## GWA HSK50 // $\varnothing 20$ mm // RS $\varnothing 35$ mm



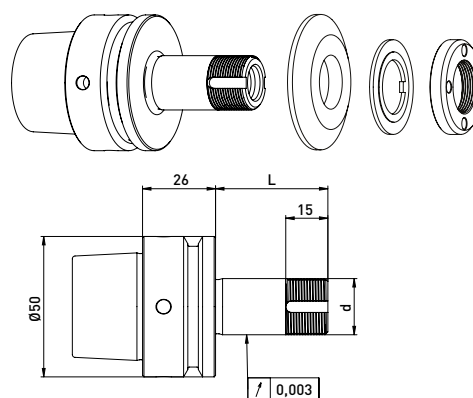
### Delivered equipped:

Reducing washer, ring set  $\varnothing 35$  mm, lock washer and clamping nut

Ring set  $\varnothing 35$  mm

Order No.	HSK	d	L	B20	B10	B4
300073512	HSK50	20	40	-	1	3
300073522	HSK50	20	60	1	1	3
300073532	HSK50	20	85	2	1	4
300073542	HSK50	20	110	3	2	3
300073552	HSK50	20	25	-	-	2
300073562	HSK50	20	50	-	2	3
300073572	HSK50	20	75	2	1	2

## GWA HSK50 // $\varnothing 20$ mm // without RS



### Delivered equipped:

Reducing washer, lock washer and clamping nut

Order No.	HSK	d	L
300073511	HSK50	20	40
300073521	HSK50	20	60
300073531	HSK50	20	85
300073541	HSK50	20	110
300073551	HSK50	20	25
300073561	HSK50	20	50
300073571	HSK50	20	75

## Accessories Reinecker grinding wheel adapter HSK50 // $\varnothing 20$ mm // Ring set $\varnothing 35$ mm

Order No.	Name	
350050010	Universal assembly device $\varnothing 50$	
350040010	Clamping nut wrench PC27 for $\varnothing 20$	
350040011	Clamping nut wrench PC27 for $\varnothing 20$	
350040040	*Clamping nut wrench PC29 for $\varnothing 20$ for clamping nut with blancing option	
350040041	*Clamping nut wrench PC29 for $\varnothing 20$	
350020081	*Balancing weight pair for clamping nut $\varnothing 35$ // 40gmm	



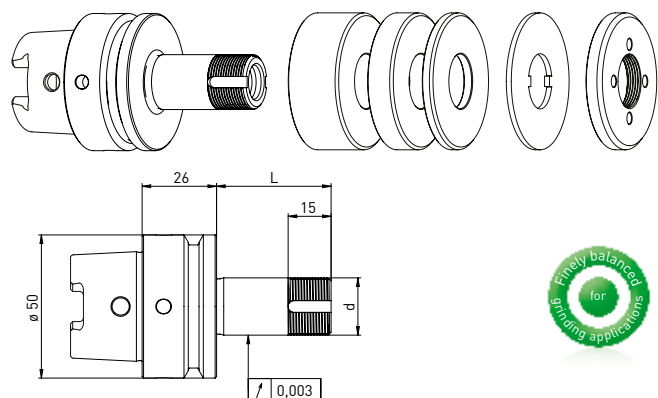
Order No.	Name
250000253	Clamping screw Reinecker L40 - $\varnothing 12$ x 116
250000254	Clamping screw Reinecker L60 - $\varnothing 12$ x 136
250000255	Clamping screw Reinecker L85 - $\varnothing 12$ x 161
250000256	Clamping screw Reinecker L110 - $\varnothing 12$ x 186

Order No.	Name	
350012020	Spacer ring $\varnothing 35$ x $\varnothing 20$ x 20	
350012010	Spacer ring $\varnothing 35$ x $\varnothing 20$ x 10	
350012004	Spacer ring $\varnothing 35$ x $\varnothing 20$ x 4	
350015001	Reducing washer $\varnothing 50$ x $\varnothing 35$ x $\varnothing 20$ x 6	
350030020	Lock washer $\varnothing 35$ x $\varnothing 20$ x 2	
350020030	Clamping nut $\varnothing 35$ x 6 M20 x 1 PC27	
350020080	*Clamping nut with balancing option $\varnothing 35$ x $\varnothing 40$ x 8 x M20 x 1 PC29	
350015005	Support washer $\varnothing 35$ x $\varnothing 60$ x $\varnothing 20$ x 6	

# Reinecker HSK50 // Shaft $\varnothing 20$ mm // RS $\varnothing 50$ mm

For Reinecker tool grinding machines with ring set  $\varnothing 50$  mm  
with driver groove

## SSA HSK50 // $\varnothing 20$ mm // RS $\varnothing 50$ mm



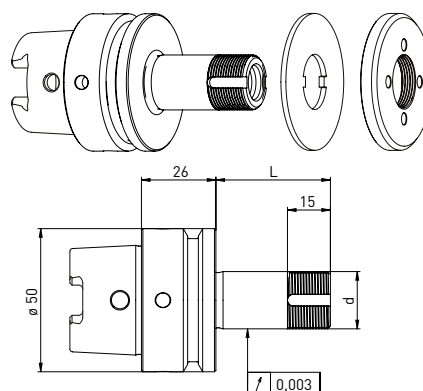
Delivered equipped:

Ring set  $\varnothing 50$  mm, lock washer and clamping nut

Ring set  $\varnothing 50$  mm

Order No.	HSK	d	L	B20	B10	B4
300072012	HSK50	20	40	-	1	4
300072022	HSK50	20	60	1	1	4
300072032	HSK50	20	85	2	2	3
300072042	HSK50	20	110	3	2	4
300072052	HSK50	20	25	-	-	3
300072062	HSK50	20	50	1	1	2
300072072	HSK50	20	75	2	1	3

## SSA HSK50 // $\varnothing 20$ mm // without RS



Delivered equipped:

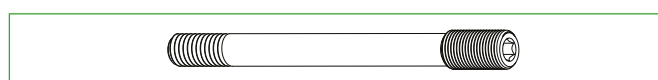
Lock washer and clamping nut

Order No.	HSK	d	L
300072011	HSK50	20	40
300072021	HSK50	20	60
300072031	HSK50	20	85
300072041	HSK50	20	110
300072051	HSK50	20	25
300072061	HSK50	20	50
300072071	HSK50	20	75

## Accessories Reinecker grinding wheel adapter SSA HSK50 // $\varnothing 20$ mm // Ring set $\varnothing 50$ mm

Order No.	Name	
350050010	Universal assembly device $\varnothing 50$	
350040010	*Clamping nut wrench PC27 for $\varnothing 20$	
350040011	* Clamping nut wrench PC27 for $\varnothing 20$	
350020021	*Balancing weight pair for clamping nut $\varnothing 50$ // 100gmm	

Order No.	Name	
350011020	Spacer ring $\varnothing 50 \times \varnothing 20 \times 20$	
350011010	Spacer ring $\varnothing 50 \times \varnothing 20 \times 10$	
350011004	Spacer ring $\varnothing 50 \times \varnothing 20 \times 4$	
350015003	Support washer $\varnothing 50 \times \varnothing 75 \times \varnothing 20 \times 6$	
350030010	Lock washer $\varnothing 50 \times \varnothing 20 \times 2$	
350020060	Clamping nut $\varnothing 50 \times 6 \times M20 \times 1$ PC27	
350020020	*Clamping nut with balancing option $\varnothing 50 \times 8,5 M20 \times 1,0$ PC27	



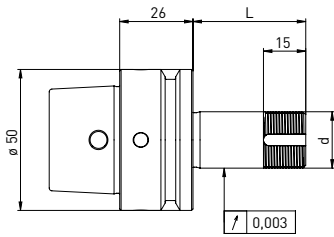
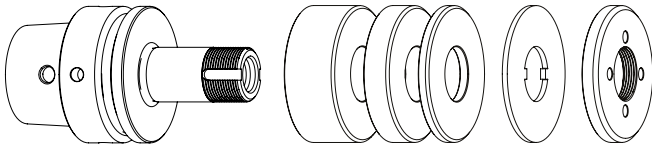
Order No.	Name
250000253	Clamping screw Reinecker L40 - $\varnothing 12 \times 116$
250000254	Clamping screw Reinecker L60 - $\varnothing 12 \times 136$
250000255	Clamping screw Reinecker L85 - $\varnothing 12 \times 161$
250000256	Clamping screw Reinecker L110 - $\varnothing 12 \times 186$

\*related items

# Reinecker HSK50 // Shaft $\varnothing 20$ mm // RS $\varnothing 50$ mm

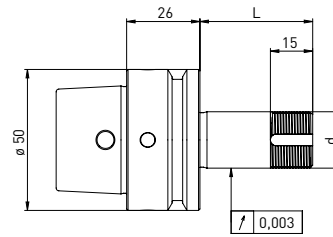
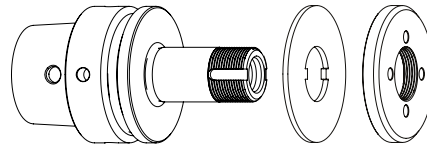
For Reinecker tool grinding machines with ring set  $\varnothing 50$  mm  
without driver groove

## GWA HSK50 // $\varnothing 20$ mm // RS $\varnothing 50$ mm



**Delivered equipped:**  
Ring set  $\varnothing 50$  mm, lock washer and clamping nut

## GWA HSK50 // $\varnothing 20$ mm // without RS



**Delivered equipped:**  
Lock washer and clamping nut

### Ring set $\varnothing 50$ mm

Order No.	HSK	d	L	B 20	B 10	B 4
300073012	HSK50	20	40	-	1	4
300073022	HSK50	20	60	1	1	4
300073032	HSK50	20	85	2	2	3
300073042	HSK50	20	110	3	2	4
300073052	HSK50	20	25	-	-	3
300073062	HSK50	20	50	1	1	2
300073072	HSK50	20	75	2	1	3

Order No.	HSK	d	L
300073011	HSK50	20	40
300073021	HSK50	20	60
300073031	HSK50	20	85
300073041	HSK50	20	110
300073051	HSK50	20	25
300073061	HSK50	20	50
300073071	HSK50	20	75

## Accessories Reinecker grinding wheel adapter HSK50 // $\varnothing 20$ mm // Ring set $\varnothing 50$ mm

Order No.	Name	
350050010	Universal assembly device $\varnothing 50$	
350040010	*Clamping nut wrench PC27 for $\varnothing 20$	
350040011	*Clamping nut wrench PC27 for $\varnothing 20$	
350020021	*Balancing weight pair for clamping nut $\varnothing 50$ // 100gmm	

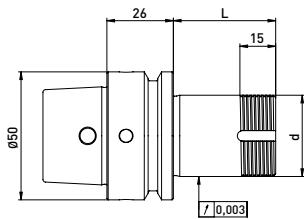
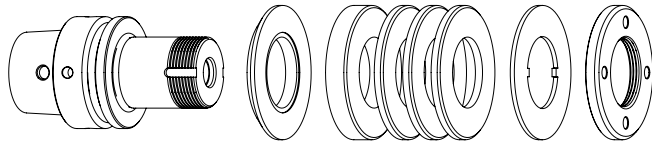
Order No.	Name	
350011020	Spacer ring $\varnothing 50 \times \varnothing 20 \times 20$	
350011010	Spacer ring $\varnothing 50 \times \varnothing 20 \times 10$	
350011004	Spacer ring $\varnothing 50 \times \varnothing 20 \times 4$	
350015003	Support washer $\varnothing 50 \times \varnothing 75 \times \varnothing 20 \times 6$	
350030010	Lock washer $\varnothing 50 \times \varnothing 20 \times 2$	
350020060	Clamping nut $\varnothing 50 \times 6 \times M20 \times 1$ PC27	
350020020	*Clamping nut with balancing option $\varnothing 50 \times 8,5 M20 \times 1,0$ PC27	

Order No.	Name
250000253	Clamping screw Reinecker L40 - $\varnothing 12 \times 116$
250000254	Clamping screw Reinecker L60 - $\varnothing 12 \times 136$
250000255	Clamping screw Reinecker L85 - $\varnothing 12 \times 161$
250000256	Clamping screw Reinecker L110 - $\varnothing 12 \times 186$

# Reinecker HSK50 // Shaft $\varnothing 31,75$ mm (1¼) // RS $\varnothing 60$ mm

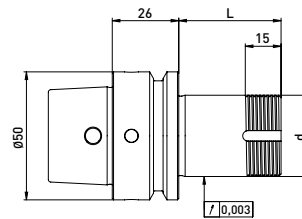
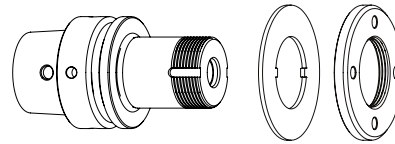
For Reinecker tool grinding machines with ring set  $\varnothing 60$  mm  
without driver groove

GWA HSK50 //  $\varnothing 31,75$  mm (1¼) // RS  $\varnothing 60$  mm



**Delivered equipped:**  
Ring set  $\varnothing 60$  mm, lock washer and clamping nut

GWA HSK50 //  $\varnothing 31,75$  mm (1¼) // ohne Ringsatz



**Delivered equipped:**  
Lock washer and clamping nut

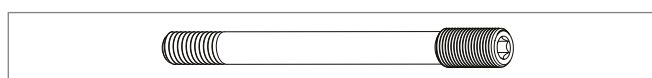
Ring set  $\varnothing 60$  mm

Order No.	HSK	d	L	Ring set $\varnothing 60$ mm		
				B 20	B 10	B 4
300072112	HSK50	31,75	40	-	2	3
300072122	HSK50	31,75	60	1	1	3
300072132	HSK50	31,75	85	2	2	4
300072142	HSK50	31,75	100	3	2	3

Order No.	HSK	d	L
300072111	HSK50	31,75	40
300072121	HSK50	31,75	60
300072131	HSK50	31,75	85
300072141	HSK50	31,75	100

## Accessories Reinecker grinding wheel adapter HSK50 // $\varnothing 31,75$ mm (1¼) // Ring set $\varnothing 60$ mm

Order No.	Name	
350050010	Universal assembly device $\varnothing 50$	
350040030	*Clamping nut wrench TK39 for clamping nut with blancing option	
350040020	Clamping nut wrench PC45 for $\varnothing 32$	
350020023	*Balancing weight pair for clamping nut $\varnothing 60$ // 200gmm	



Order No.	Name
250000253	Clamping screw Reinecker L40 - $\varnothing 12$ x 116
250000254	Clamping screw Reinecker L60 - $\varnothing 12$ x 136
250000255	Clamping screw Reinecker L85 - $\varnothing 12$ x 161
250000256	Clamping screw Reinecker L110 - $\varnothing 12$ x 186

Order No.	Name	
350011420	Spacer ring $\varnothing 60$ x $\varnothing 31,75$ x 20	
350011410	Spacer ring $\varnothing 60$ x $\varnothing 31,75$ x 10	
350011404	Spacer ring $\varnothing 60$ x $\varnothing 31,75$ x 4	
350015009	Support washer	
350030060	Lock washer $\varnothing 60$ x $\varnothing 32$ x 1,8	
350020066	Clamping nut $\varnothing 60$ x 6 x M32 x 1,5 PC45	
350020022	*Clamping nut with balancing option $\varnothing 60$ x 9 M32 x 1,5 PC39	

\*related items